

Chapter 2.5

Animal Identification

Section 1	Legislation
Section 2	Cattle Identification
Section 3	Sheep and Goats Identification
Section 4	Pigs Identification
Section 5	Deer Identification
Section 6	FSS role
Section 7	Annexes

1. Legislation

[1.1 European regulations](#)

[1.2 Domestic regulations](#)

1.1 European regulations

EU legislation which applied directly or indirectly to the UK before leaving the EU on 31 December 2020 has been retained in UK law as a form of domestic legislation known as 'retained EU legislation'. This is set out in sections 2 and 3 of the [European Union \(Withdrawal\) Act 2018](#) (c. 16). Section 4 of the 2018 Act ensures that any remaining EU rights and obligations, including directly effective rights within.

1.1.1 Regulation (EC) 178/2002

Article 18 of (EC) [178/2002](#) requires that Food Business Operators (FBOs) must have systems and procedures in place to ensure that the traceability of food and food-producing animals can be established at all stages of production, processing and distribution.

The FBO must be able to:

- identify any person from whom they have been supplied with a food-producing animal
- identify the other businesses to which their products have been supplied
- make this information available to the Competent Authorities on demand

1.1.2 Regulation (EC) 853/2004

The EU Regulations require the FBO to ensure that all animals or, where appropriate, each batch of animals sent for slaughter is identified so that their origin can be traced.

1.1.3 Commission Implementing Regulation (EU) 2019/627

During the exercise of official controls, the OV is to verify compliance with the FBOs duty pursuant to (EC) 853/2004 to ensure that animals accepted for slaughter for human consumption are properly identified.

1.2 Domestic regulations

1.2.1 Domestic legislation

Staff should note that not all of the relevant legislation has been included in Volume 2 of the SMOC.

Additional domestic legislation, detailing requirements for animal identification and movement, is available on the Defra website or via the National Archives website as detailed below. This may be of use for reference or to determine if an offence has been committed requiring referral to a LA for enforcement.

Reference: www.gov.uk/defra or www.legislation.gov.uk

2. Cattle Identification

[2.1 Cattle Identification](#)

[2.2 Cattle Ear tags Requirements](#)

[2.3 Cattle passport requirements](#)

[2.4 Cattle Age Requirements](#)

[2.5 Cattle Electronic ID](#)

[2.6 Food Business Operator Responsibility On Cattle Identification](#)

2.1 Cattle Identification

2.1.1 Introduction

[The Cattle Identification \(Scotland\) Regulations 2007 \(CIR\) \(as amended\)](#) enforce the requirements of European legislation for identification and registration of bovine animals. Predominantly, this is [Regulation \(EC\) 1760/2000](#). CIR provide powers to the competent authorities and detail requirements on keepers with respect to:

- notification of holdings

Manual for Official Controls | Amendment 16

- ear tags
- registration of cattle
- cattle passports
- notification of movements or death
- record keeping

2.1.2 Definition: Keeper

The keeper is the person responsible for the animals whether on a permanent or temporary basis. It includes slaughterhouse operators, market operators and transporters in some contexts.

2.1.3 Enforcement

The Local Authority Trading Standards staff are the primary enforcement officers for CIR, with a role to advise, educate and enforce the requirements of the Regulations.

2.2 Cattle ear tag requirements

2.2.1 Ear tags: GB cattle

All cattle born and imported into GB must be tagged in at least one ear.

Cattle born between 1 April 1995 and 31 December 1997 must be identified with at least one ear tag.

Cattle born on or after 1 January 1998 must be identified with an approved ear tag in each ear, which show the same official identity.

There are requirements in CIR that detail the time periods within which keepers must apply ear tags to cattle, and replace lost tags.

One of these ear tags is considered the primary ear tag and the other, the secondary ear tag.

If the ear tag is made from two pieces, both sides must be printed and bear the Crown logo

Cattle must be properly tagged if they are to be moved.

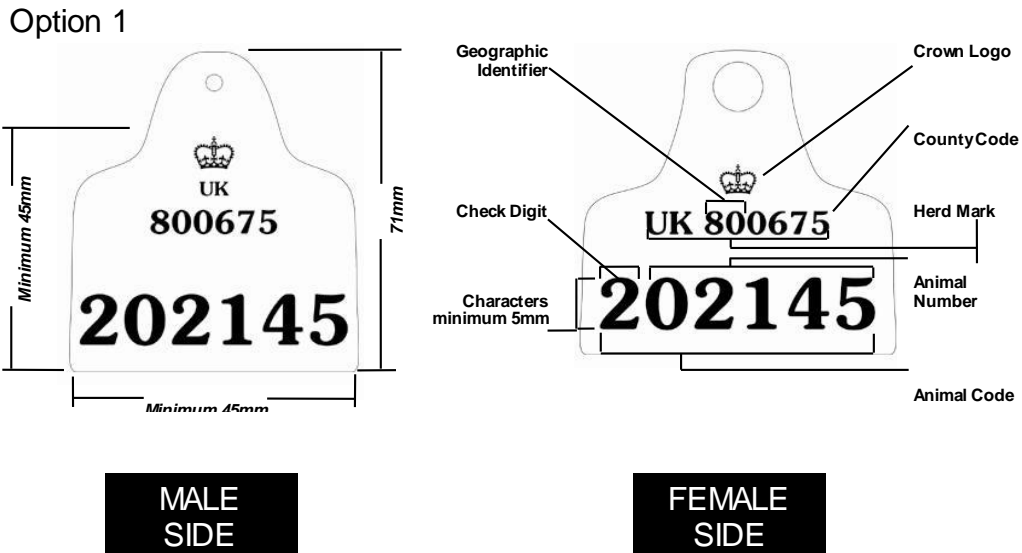
Regulation: CIR 2007, Schedule 1.

Manual for Official Controls | Amendment 16

Tags	Information required on Tag	Notes
Primary tag	<p>The primary tag should include the Crown logo, followed by the letters 'UK' and the animal's unique number, which will consist of a six digit all numeric herd mark followed by a six digit unique animal code. The first digit of the animal code is a check digit which allows officials to check the code is correct, for example, UK 230011 200123.</p> <p>Note: This information will always be printed not hand written.</p> <p>Note: Crown logo on ear tags became a requirement on 1 January 1998. For further information regarding post EU exit please refer to Section 2.2.2</p>	<p>The main ear tag, known in GB as the primary ear tag, is a distance readable yellow plastic two piece ear tag which requires specific information.</p> <p>There are two different options for primary tags (refer to the examples below)</p>
Secondary tag	<p>The Crown logo, followed by the letters 'UK' and the animal's unique number, which will consist of a six digit all numeric herd mark followed by a six digit unique animal code. The first digit of the animal code is a check digit to allow officials to check the code is correct UK 230011 200123.</p> <p>For further information regarding post EU exit please refer to Section 2.2.2</p> <p>Note: This information will always be printed not hand written.</p> <p>Note: The secondary tag can also contain management information which can be printed or hand written</p>	<p>This ear tag can be the same design as the main ear tag or an approved alternative in a different colour. It should be placed in the other ear to the primary tag, unless an ear is damaged, when they can be fitted to the same ear.</p> <p>Management information concerning the animal may be added to the lower part of the ear tag.</p> <p>There are 4 different options for the secondary tags (refer to the examples below)</p>

Primary tag: option 1

There are two options for the primary ear tag.



Primary tag: option 2

Option 2 is recommended for small-eared breeds (for example, Channel Island breeds, Dexter breeds) and meets the minimum size requirements for the primary ear tag.



Manual for Official Controls | Amendment 16

Secondary tag: option 1

Examples of second ear tags are as follows:



**MALE
SIDE**



**FEMALE
SIDE**

Secondary tag: option 2

This is a small plastic two-piece ear tag, which may be any colour.



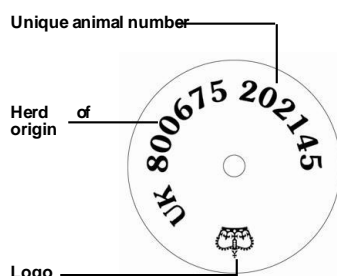
**MALE
SIDE**



**FEMALE
SIDE**

Secondary tag: option 3

The button ear tag is a round two-piece plastic button design, which may be any colour.



**MALE
SIDE**



**FEMALE
SIDE**

Manual for Official Controls | Amendment 16

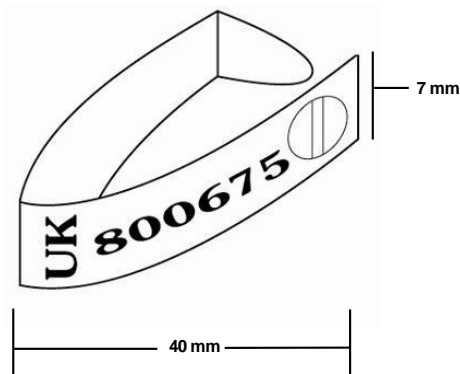
Secondary tag: option 4

The metal ear tag is a one-piece design.

Flat view



Three Dimensional View



2.2.2 Ear tag requirements

The following table shows the cattle identification requirements in force at various dates of birth.

Date of birth	Tagging requirements	Example of format
15 October 1990 to 1 April 1995	Single ear tag or tattoo	A1234 123 B654 3210 D123 123C
1 April 1995 to 31 December 1997	One ear tag in right ear with unique alpha-numeric identity including UK prefix	UKAB 1234 56789 UK A 1234 56789

Manual for Official Controls | Amendment 16

Presentation for slaughter / slaughter of cattle born in, or imported into, the UK before 1 August 1996 for human consumption is prohibited		
1 January 1998 to 31 December 1999	Double tagging with same alpha-numeric identity including UK prefix in each ear, for lifetime of the animal	UKAB 1234 56789 UK A 1234 56789
1 January 2000 to 30 June 2000	Double tagging with same alpha-numeric or numeric identity including UK prefix in each ear, for lifetime of the animal	UKAB 1234 56789 UK A 1234 56789 UK 666666500046
1 July 2000 to December 2020	Double tagging, with same numeric identity including UK prefix in each ear, for lifetime of the animal	UK 666666500046
From 1 January 2021 some changes were introduced to the requirements around the export of livestock from Scotland to the European Union (EU) and movements to Northern Ireland (NI).	<p>Official ISO (International Standardisation Organisation) country code must be used, which is 'GB', 'GBR' or '826' (the numerical country code that is used on digital transponders – microchips)</p> <p>However, a number of existing legacy IT data systems across GB use the prefix 'UK' as part of their validation process. Unfortunately, there was not enough time to update these systems before 1 January 2021. Therefore, Ministers have agreed that until systems are upgraded we will continue with the 'UK' prefix on all livestock identifiers. However for export purpose, there is an interim solution across GB that will allow to continue to export livestock to the EU and move livestock to NI. The proposed solution will allow the tag supplier to add 'GB' to runs of new tags, or replacement tag orders. These tags would still have the official UK and individual animal number however, the legislation does allow for additional information to be added to a tag as long as it does not interfere with the animal's official identity. For example 'GB' could be added to the bottom of a secondary cattle tag. Where an animal is already identified it has been agreed that you can apply a third (management) tag with the 'GB' prefix and the animals individual number.</p>	

Manual for Official Controls | Amendment 16

	NOTE: for further information please refer to: Livestock identification export requirements post EU exit: guidance - gov.scot (www.gov.scot)
--	------------------------------------------------------------------------------------------------------------------------------------------------------------------------------------------

2.2.3 Unacceptable official identification

The following other forms of cattle identification cannot be accepted as official identification:

- hand written tags
- tattoos
- printed tags without a country code
- tags where the code appears to have been amended or tampered with (except the addition of management information to secondary ear tags)
- tags with missing information, for example, one missing one number
- unreadable ear tags

2.2.4 Ear tags in imported cattle

Ear tags: EU cattle

Cattle imported from EU member states and presented for slaughter for human consumption must be identified with a printed ear tag in each ear which shows the same official identity (double tagged) bearing:

- the country logo
- the country code
- an official identity of not more than 12 digits (which identifies the holding of origin and the animal)

This will also apply if cattle have been imported to an EU member state from a third country for onward trade with the UK. They should have been tagged with the importing member state's tags.

Note: If there is any doubt regarding the validity of tags, further advice should be sought from your FSS Technical Lead.

Reference: See topic [2.2.5](#) on 'List of country codes' in this section for additional information.

Manual for Official Controls | Amendment 16

Ear tags: other third country cattle

Cattle imported from third countries which go direct to slaughter (within 15 days of arriving in the UK) are identified in accordance with third country rules. They will have ear tags and national administrative documents of the country of origin.

Otherwise cattle must be re-tagged within 20 days of passing the veterinary checks and the farmer must apply for a passport within 15 days of arriving.

Regulation: CIR 2007, Schedule 1, Paragraph 2 and Schedule 3, Paragraph 17

Note: Cattle imported from third countries will have UK or EU Member State's tags, and the date of import will be shown on the passport. This is the only place where the origin of the animal can be identified, so it is important to examine every passport that is checked, as the origin of the animal may have important consequences for BSE controls.

Northern Ireland cattle imported from Northern Ireland and presented for slaughter for human consumption must be identified with a printed ear tag in each ear showing the same official identity (double tagging) bearing:

- unique NI logo (pictured)
- UK prefix
- official identity of 12 digits



Unique Northern Ireland
logo replaces England and
Wales crown logo

Unique Northern Ireland logo replaces England and Wales crown logo

Note: All cattle imported into GB from NI must be registered with ScotEID (unless slaughtered within 15 days of arrival into GB). They must only be moved to an approved slaughterhouse if accompanied by a cattle passport issued by BCMS/ScotEID. Single tagged cattle must be retagged within 15 days of arrival into GB.

For further information regarding cattle registration refer to [section 2.3.1](#)

Reference: CIR 2007 Schedule 1 paragraphs 8 and 12; EC 1760/2000 article 4 (1) in accordance with The Livestock (Records, Identification and Movement) (Amendment) (EU Exit) Regulations 2019

2.2.5 List of country codes

All country codes are contained in the ISO 3166 and can be found in the following link:

Manual for Official Controls | Amendment 16

[Online Browsing Platform \(OBP\) \(iso.org\)](#)

Note: Cattle imported from the Channel Islands and Isle of Man has UK ear tags but different logos.

2.3 Cattle Passport Requirements

2.3.1 Overview

All cattle born or imported into Scotland from an EU or third country since 4 October 2021 must be registered using ScotMoves+ which is operated by ScotEID.

ScotEID issue passports after birth registration to Scottish cattle keepers. The passports will look very similar as those issued by BCMS to English and Welsh cattle keepers apart from some information on the cover letter, some data in the passport which is more visible and the addition of a QR code for the animal ID in the centre top of the passport which will facilitate scanning.

For queries regarding animal identification discrepancies OVAs should contact [ScotEID](#), however ID issues will still be reported to BCMS enforcement.

For further information regarding the switchover from CTS to ScotEID refer to [Annexes 2 and 3](#).

<https://www.scoteid.com/>

<https://secure.services.defra.gov.uk/wps/portal/ctso>

2.3.2 Passport types

There are five types of official cattle identification documents for cattle in Scotland.

The table below shows the type of passport or other identification document issued, dependant on the date of birth or import.

Note: Imported cattle must be accompanied by official documentation.

Reference: See sub-topic [2.3.9](#) in this section for additional information.

Manual for Official Controls | Amendment 16

.....

Date of birth / import	Document
Before 1 July 1996	<p>Certificate of CTS registration with movement cards (COR or form CHR3), or</p> <p>CPP13 if the original identification document was replaced between 9 October 2000 and 31 July 2011, or</p> <p>CPP52 if the original identification document is replaced after 1 August 2011</p>
<p>Note: Presentation for slaughter / slaughter of cattle born, or imported into, the UK before 1 August 1996 for human consumption is prohibited</p>	
1 July 1996 to 28 September 1998	<p>Old-style (blue and green A4) cattle passport (CPP1), and</p> <p>certificate of CTS registration with movement cards (COR or form CHR3), or</p> <p>CPP13 if the original passport was replaced between 9 October 2000 and 31 July 2011, or</p> <p>CPP52 if the original passport is replaced after 1 August 2011</p>
28 September 1998 to 31 July 2011	<p>Chequebook-style passport with movement cards (CPP13)</p> <p>Note: Unless imported less than 15 days previously, cattle (including calves) can only be accepted for slaughter if they have a full passport</p>
From 1 August 2011	<p>Single A4 sheet (CPP52)</p> <p>Note: Movement cards will not be supplied with this type of passport. Keepers must notify cattle movements using CTS Online or via a self-service telephone line.</p> <p>Note: Unless imported less than 15 days previously, cattle (including calves) can only be accepted for slaughter if they have a full passport.</p>
For cattle refused a cattle passport	<p>Notice of registration (CPP35)</p> <p>Note: such cattle are not eligible for slaughter for human consumption.</p>

2.3.3 Passport details

From 1 August 2011, the GB passport is the CPP52 single A4 sheet, which shows the following information:

- animal details: date of birth, sex, breed or colour of coat
- official identification number as printed on the ear tag
- identity of genetic or surrogate dam
- holding of birth
- date the passport was issued and reissued
- movement summary: identity of locations and dates of change since the passport was issued

Regulation: (EC) 1760/2000

2.3.4 Valid passport

A valid passport has:

- all registration details complete
- an ear tag number matching the ear tags on the animal
- address details of the most recent holdings the animal has moved through, up to a maximum of 6 holdings (the full history will be available via CTS)
- entries which have been signed and dated by each keeper of the animal
- no sign of having been tampered with or amended in any way
- a heat-sensitive diamond shape which will fade when held between finger and thumb (security feature in the bottom right-hand corner)

In all cases, the original documents must be presented with the animal. Photocopies or faxes of documents are not acceptable.

Exception: It is acceptable to slaughter an animal on welfare grounds without valid documentation. However, the carcass must not be health marked until receipt of the correct original valid passport and it has passed ante and post-mortem inspection.

2.3.5 Valid Northern Ireland passport

There are no passports in NI. Every animal is recorded on a central database, the Animal and Public Health Information System (APHIS). Normally a print-out of the database containing the animal's information, movement history and statuses of this particular animal as held on the APHIS database is produced instead of a passport.

Manual for Official Controls | Amendment 16

Animals are moved within NI on what are called: 'owners' declarations'. These can be either hand-written or electronic based on the level of IT knowledge and application at the holding. However when animals are moved 'outside' NI (and the APHIS system) the print-out will accompany the animal. This information has been produced directly from APHIS for the purpose of moving the animal into GB.

All the information is entered on to the APHIS system at the different stages of the animals' life time and this is centrally stored for access at any stage (only through secure access profiles). APHIS also holds all testing information, ante mortem inspection and post mortem inspection results (when the animal is slaughtered in Northern Ireland).

Cattle born in Northern Ireland before September 2008 may have ear tags mismatching against the owners declaration / APHIS print out. This is due to zeros being added to the passport number to ensure that it has 14 characters.

This means that ear tags and passport numbers may not match as the ear tags will still show the 'old number' of less than 14 characters while the document shows the 14 characters with zeros included on the herd number and individual number.

Further information can be found at: <https://www.northernireland.gov.uk/>

2.3.6 Passport: stamped 'not for human consumption'

There may be circumstances when a decision is made to prevent certain cattle from entering the food chain.

The passports of any such animals of all ages will be stamped clearly in blue ink 'Not for human consumption' and the information retained by ScotEID in their central records.

If any such animal is presented in a slaughterhouse the OV must notify:

- Regional Veterinary Manager, APHA, Worcester (01905 763355)
- the local APHA office
- Local Authority (LA) (Trading Standards Department)
- ScotEID
- FSS technical lead

Under no circumstances may these animals be slaughtered for human consumption and their carcasses must not enter the food chain.

2.3.7 Cattle from EU member states

All cattle imported from an EU Member State or Northern Ireland and sent direct for slaughter must be accompanied by:

- a passport issued by the Member State (an EU passport),
- health certificate
- Import licence: certain animals must have an import licence or authorisation to be imported to Great Britain
- If the animal has moved from Northern Ireland, the animal will arrive with a printout from the Department of Agriculture and Rural Development (DARD) database.

It should be noted that passports issued by EU Member States may vary in style.

Important:

Important: Keepers of imported cattle not slaughtered within 15 days of arrival must request a passport from ScotEID.

For more information please refer to : [Guidance on importing and exporting live animals or animal products - GOV.UK \(www.gov.uk\)](#) and Chapter 3

2.3.8 Cattle from other third countries

A GB passport will accompany animals imported since 1 July 1996 from third countries, unless they are presented for slaughter within 15 days of import.

Animals imported direct for slaughter within 15 days of arrival must be accompanied by an export certificate, and in some circumstances by an import licence or authorisation, a commercial document, and must be clearly identified.

For more information please refer to: [Import of Bovine Animals from Third Countries \(defra.gov.uk\)](#), [Importing live animals, animal products and high-risk food and feed not of animal origin from non-EU countries to Great Britain - GOV.UK \(www.gov.uk\)](#) and Chapter 3.

2.3.9 Examples of cattle passport documents

Document Name	Reference	Notes
Single-page passport	CPP52	The newest type of passport; issued from 1 August 2011
Notice of registration	CPP35	Issued if a cattle passport is refused; places certain restrictions on cattle movements
Chequebook-style passport	CPP13	Issued before the single-page passport was introduced; it was issued to animals registered between 28 September 1998 and 31 July 2011
Old-style blue and green passport	CPP1	Animals with this type of passport must also have a certificate of CTS registration; issued to animals registered between 1 July 1996 and 27 September 1998
Certificate of CTS registration	COR or CHR3	Animals that hold this form of identification alone were born, imported or moved into Great Britain before 1 July 1996; they don't have passports and aren't expected to have them.

2.4 Cattle age requirements

2.4.1 Prohibition on older cattle

The sale of meat derived from cattle born in, or imported into, the UK before 1 August 1996 is strictly prohibited. It is also an offence to consign such an animal to a slaughterhouse. Any meat from such animals is automatically deemed to be an animal by-product (ABP).

Legislation:

Commission Decision 2007/411(EC), prohibiting the placing on the market of products derived from bovine animals born or reared within the UK before 1 August 1996.

The TSE (Scotland) Regulations 2010, Schedule 2, paragraph 7.

2.5 Cattle Electronic ID

Cattle entering the abattoir with a 'Pink' secondary ear tag are part of the ScotEID Bovine EID pilot. These cattle ear tags contain transponders which can be

Manual for Official Controls | Amendment 16

electronically read and eliminates the need for the FBOs to manually record the IDs printed on tags and passports. EID improves the speed and accuracy with which information relating to cattle can be gathered, reduces handling, protects the welfare of the animal and reduces health and safety risks to both the FSS and FBO staff.

Note: the use of EID is currently going through the official approval process. As part of the existing EID pilot run by ScotEID, all Scottish marts and abattoirs have been equipped with UHF readers and a number of farms have trialled UHF-EID tags for on farm purposes. Currently there is one official UHF secondary tag available, and others will be made available during 2021. There is, as yet, no planned date to make these tags compulsory, either for new-borns, or as replacement tags. Low Frequency (LF) tags are only available using a manufacturer coded chip, this code has to be translated by software to show the visible number on the tag. It is planned that official LF WYSIWYG will become available but will require a number change, which is complicated and requires current government systems to be updated.

For more information visit the following link

[EID_cattle_update_2020_10_01.pdf \(scoteid.com\)](#)

2.6 Slaughterhouse Food Business Operator Responsibility on cattle identification

FBO RESPONSIBILITY ON CATTLE IDENTIFICATION	
Cattle presented for slaughter intended for human consumption must:	<ul style="list-style-type: none"> • comply with the age criteria • be properly identified • be accompanied by valid documentation <p>When the FBO presents animals that are not properly identified, the FBO should present whatever information is available which may allow the OV to make a judgement as to whether the animal's identity is reasonably ascertainable. The keeper, however, has 48 hours to arrange for the correct identification of the animal.</p>
Movements and deaths	<p>To notify ScotEID of the movement of cattle within 3 days and deaths within 7 days.</p> <p>It is possible, although not mandatory, for slaughterhouses to report cattle movements and deaths electronically, using ScotEID, an approved software package or by telephone to the ScotEID Information Centre, Tel No: 01466 794323</p> <p>.</p> <p>For more information regarding ScotEID refer to section 2.3.1</p>

Manual for Official Controls | Amendment 16

<p>Return Passports</p>	<p>From Monday 13th September 2021, Scot EID will be conducting a trial for 8 selected FBOs in Scotland (1103, 1106, 1121, 1101, 1560, 1535, 1541 and 1598) which will no longer return passports in the orange pouches ; for this trial, passports will be deposited in a console provided and an external company will collect them. The process is outlined below:</p> <ul style="list-style-type: none"> • a company called Shred Station will deliver a locked console unit • This unit is to be located in an area convenient for FBO staff to access as well as Shred Station when making collections. • FBO will be responsible for depositing the passports in this unit <u>once checks and records have been completed.</u> <p><u>Passport will be unable to be retrieved once dropped into the unit, as neither FBOs or the FSS staff will be provided with a key</u></p> <ul style="list-style-type: none"> • Copies of kill sheets to be returned via email to Edeads@rpa.gov.uk • Access must be allowed to Shred Station to enable the collections of passports. <p>For the rest of the plants in Scotland the passport return procedures remain the same: FBOs must return cattle passports to ScotEID. These passports must, to reach ScotEID within 7 days of slaughter. The kill sheet must be included, marking identifying any animal which were slaughtered on farm.</p> <p>Passports for animals which were slaughtered on farm may also be included in the same pouch, but must be clearly marked and placed within a separate envelope within the pouch or pre-paid envelope. The only exception to this is where FSS retain the passport (which will occur only in the event of a discrepancy arising). ScotEID will provide the FBO with the necessary orange pouches or pre-paid envelopes for the purposes of returning the cattle passports. Any requests for additional pouches or envelopes should be made to ScotEID.</p> <p>Regulation CIR 2007 schedule 2</p>
<p>Completion of death details on passport</p>	<p>If the FBO has reported the death to ScotEID electronically, then that is the notification of death and the FBO should return the passport to ScotEID, after any necessary FSS identity verification checks have been carried out. If the FBO is not using an electronic method to notify deaths to ScotEID, then the slaughter details must be entered onto the death details section of the cattle passport by a responsible member of the slaughterhouse staff. In BSE testing the recording of a kill number is recommended. It is only a requirement if it is in the relevant RMOP. In the case of on farm slaughter, the death details must be completed by the keeper, the FBO must then return the passport to ScotEID within 7 days.</p>
<p>Cattle register</p>	<p>FBOs are required to keep records of: cattle moving to and from the slaughterhouse, and cattle deaths. The register may be kept in computerised or paper form and must contain the following information:</p> <ul style="list-style-type: none"> • the unique official identification code for each animal from the ear tag • the breed and sex of the animal • where the animal came from

Manual for Official Controls | Amendment 16

	<ul style="list-style-type: none"> • date of arrival at the lairage or slaughterhouse; if the lairage is at a separate location and has a different CPH number, the date of arrival at both the lairage and the slaughterhouse must be recorded • date of return to keeper and address animal sent to (where movement restrictions permit such movements) • date of death <p>The register (or a copy of computer printouts) must be available for inspection to an AO of FSS, Scottish Government or the LA. A copy of the cattle register, or an alternative kill sheet containing the same information, must be provided daily by the FBO to FSS operational staff. It will be checked to verify the accuracy of the data registered and to confirm throughput information.</p> <p>Regulation: CIR 2007, Schedule 4 and (EC) 1760/2000, Articles 7(1) and 7(4). http://www.legislation.gov.uk/ssi/2007/174/contents/made.</p> <p>LA's are the CA responsible for enforcing this.</p>
<p>Compliance with Age rule</p>	<p>The FBO must ensure that no cattle born in, or imported into, the UK before 01 August 1996 are slaughtered for human consumption. When cattle that require BSE testing are identified at premises that do not have an approved RMOP, they may be moved, under licence, to an abattoir with an approved RMOP. The FBO should apply to Scottish Government for licence A list of establishments that can slaughter cattle that require a BSE test is available at the web link below: https://www.gov.uk/government/publications/tse-testing-of-fallen-cattle-approved-premises</p> <p>Regulation: The TSE (Scotland) Regulations 2010, Schedule 2, paragraph 12</p>
<p>Stamped Passports</p>	<p>The FBO must inform the OV if an animal arrives at the slaughterhouse accompanied by a passport stamped 'NOT FOR HUMAN CONSUMPTION: Animal exposed to mammalian protein'.</p>
<p>Identified errors at pre-slaughter checks</p>	<p>If during the FBOs pre-slaughter checks, a bovine is found where:</p> <ul style="list-style-type: none"> • one or more ear tags are missing • ear tags are mismatched or of an unapproved type (for example, hand written) • the passport details are incorrect, obviously do not match the bovine or are invalid or missing • age rules have been breached <p>the FBO should:</p> <ul style="list-style-type: none"> • immediately notify and present the passport to the OV • detain the animal • notify the keeper that the animal has been detained, and • if appropriate, allow the keeper 48 hours to arrange for the animal to be correctly identified <p>The FBO <u>must not</u> return the passport presented with the animal to the keeper until the correct passport is presented to the OV. Un-reconciled</p>

	passports are returned to ScotEID with a completed form AID 5-4 by the OV once investigations have been completed
--	-------------------------------------------------------------------------------------------------------------------

3 Sheep and goats Identification

[3.1 Background](#)

[3.2 Legislation](#)

[3.3 Identification Requirements](#)

[3.4 Food Business Operators Responsibilities on Sheep Identification](#)

[3.5 Movement of Sheep](#)

[3.6 Recording movements](#)

[3.7 Sheep and goats from EU Member States](#)

[3.8 Sheep and goats from Third Countries](#)

3.1 Background

The identification of sheep and goats arriving at the slaughterhouse involves two separate areas of legislation, namely the EC Hygiene Regulations and the Sheep And Goats Records Identification and Movement Order (SAGRIMO) enforcing the Council Regulation (EC) 21/2004.

The Hygiene Regulations are directly enforceable by FSS, whereas breaches of SAGRIMO involve Scottish Government. They are reported to the Local Authority who will take appropriate action and report findings to Scottish Government.

New electronic tagging requirements for sheep and goats came into force on 1 January 2010 and the new requirements, as well as historic ones, are all available in Scottish Government guidance. The guidance is available on the Scottish Government's website at:

<http://www.gov.scot/Topics/farmingrural/Agriculture/animal-welfare/IDtraceability/SheepandGoats>

Manual for Official Controls | Amendment 16

.....

Under the Hygiene Regulations, sheep and goats accepted for slaughter must be properly identified in such a way that their origin can be traced.

3.2 Legislation

The following table contains the key pieces of legislation relating to sheep and goat identification:

Regulation	Responsibilities
Regulation (EC) 853/2004	<p>FBO may accept for slaughter only animals that are properly identified. For the purposes of the Hygiene Regulations, 'properly identified' means identified in such a way that the farm or holding from which a sheep or goat was sent for slaughter can be traced.</p> <p>This information should be shown on the movement document which accompanies the animals and it should identify the animals in such a way that it enables them to be related to the food chain information (FCI). FCI should either be provided on the movement document or be provided separately.</p> <p>Additionally, sheep can be deemed to be properly identified within the requirements of SAGRIMO if the animal bears an ear tag showing the farm where the animal was born in accordance with those requirements.</p>
Commission Implementing Regulation (EU) 2019/627	Authorised Officers to verify FBO compliance
Council Regulation (EC) 21/2004	<p>The Regulation is directly applicable. However, there is also domestic legislation to enforce this: the Sheep and Goats (Records, Identification and Movement) (Scotland) Order 2009.</p> <p>http://www.legislation.gov.uk/ssi/2009/414/contents/made</p>
Records, Identification and Movement (Scotland) Order 2009.	<p>Sheep and goat identification and movement rules are based on the principle that each sheep should bear a tag or tags which correlates with the requirements of the Sheep and Goats (Records, Identification and Movement) (Scotland) Order 2009.</p> <p>A sheep officially identified after 31 December 2009 will comply with SAGRIMO if it has one single tag, which can</p>

	<p>be an electronic slaughter tag or a non-electronic slaughter tag (slaughter animals) and is also accompanied by appropriate documentation. This should be in the form of a movement document made under the 2009 order, from the last holding from which it has moved (or the market from which it was consigned).</p> <p>Goats will comply with SAGRIMO if they have one single tag (slaughter) or two conventional identifiers. Additionally, they may also be electronically identified, in which case one of the identifiers must be electronic. As for sheep, they need to be accompanied by the same appropriate documentation.</p> <p>Sheep or goats bearing single tags must be under 12 months of age. Given the difficulties of ageing slaughter lambs, Scottish Government recommends a pragmatic approach to enforcement and a single tagged lamb slaughtered before 30 June of the year following their birth cohort can be accepted as compliant with SAGRIMO. In the case of single tagged sheep presented for slaughter after 30 June, which appears to have been born in the previous year's cohort, the FBO should query their age and whether their identification complies with SAGRIMO (should they be double tagged) and report this to the OV.</p> <p>See Scottish Government guidance on sheep tagging requirements at:</p> <p>http://www.gov.scot/Topics/farmingrural/Agriculture/animal-welfare/IDtraceability/SheepandGoats</p>
--	-----------------------------------------------------------------------------------------------------------------------------------------------------------------------------------------------------------------------------------------------------------------------------------------------------------------------------------------------------------------------------------------------------------------------------------------------------------------------------------------------------------------------------------------------------------------------------------------------------------------------------------------------------------------------------------------------------------------------------------------------------------------------------------------------------------------------------------------------------------------------------------------------------------------------------------------------------------------------------------------------------------------------------------------------------------------------------------------------------------------------------------------------------------------------------------------------------------------------------------------------------------------------------------------------------------------------------------------------------------------------------------------------------------------------------------------------------------------------------------------------------------------------------------------------------------------------------

3.3 Identification requirements

What is 'reasonably ascertainable'?

The identity of a sheep may be considered 'reasonably ascertainable' if it can be traced back to its last holding.

Difficulties may arise from loss of a tag or from lack of correlation with the information on the movement document or in the FCI.

3.4 FBO Responsibility on sheep identification

The table below describes the FBO responsibilities and controls to ensure that sheep and goats are 'properly identified' before slaughter, depending on whether the animals come directly from a farm or a livestock market:

Manual for Official Controls | Amendment 16

Animals transported	FBO responsibilities and controls
Directly from farm	<p>The FBO, under the requirements for HACCP based procedures, should have a system to check that all sheep accepted for slaughter are properly identified.</p> <p>The FBO should also check that the movement document is completed and shows the correct number of sheep in the batch and where required, records animals' individual identities and that FCI details have been completed appropriately.</p> <p>Under the requirements of SAGRIMO, the FBO should check that all sheep are tagged and correspond to the movement document.</p> <p>This system should be agreed with the OV and include a system of notification of arrival of animals in the slaughterhouses to the OV, taking account of the operating practices of the plant.</p>
From livestock market	<p>Sheep may be consigned to the slaughterhouse in a composite group comprising animals from many different farms.</p> <p>Slaughterhouse FBOs should have a system to check that all sheep accepted for slaughter are properly identified (as above). The FBO should check that the movement document is completed and shows the correct number of sheep, either individually recorded or batch recorded.</p> <p>Under the requirements of SAGRIMO, where a batch of 'slaughter' animals (lambs intended for slaughter before the age of 12 months) is received, which originate from more than one holding, the slaughterhouse must record the mix of identities in the batch in their holding register, by recording each of the batch numbers together with the corresponding number of animals originating from each holding. This information is not needed on the movement document, but some slaughterhouses may ask for this information to be included so they do not have to compile it themselves.</p> <p>This system should be agreed with the OV and include a system of notification of arrival of animals in the slaughterhouses to the OV, taking account of the operating practices of the plant. Any discrepancies should be reported to the OV.</p>

	<p>Factors to be considered by the FBO in determining the size of the proportion of a consignment to be checked include:</p> <ul style="list-style-type: none">• the nature of any agreement between the slaughterhouse FBO and the market operator for checks at the market• the previous record of checks on sheep from the same market <p>Checks on tagging and proper identification may be carried out:</p> <ul style="list-style-type: none">• at the slaughterhouse• at the market• by a combination of checks at both premises <p>Note: Division of responsibility between the operators of markets and slaughterhouses is a commercial matter between the parties. Slaughterhouse operators should have a written description of the system employed, and should have a procedure for checking the system.</p> <p>For guidance on Critical Control Point systems see: http://www.gov.scot/Topics/farmingrural/Agriculture/animal-welfare/IDtraceability/SheepandGoats</p>
--	----------------------------------------------------------------------------------------------------------------------------------------------------------------------------------------------------------------------------------------------------------------------------------------------------------------------------------------------------------------------------------------------------------------------------------------------------------------------------------------------------------------------------------------------------------------------------------------------------------------------------------------------------------------------------------------------------------------------------------------------------------------------------------------------------------------------------------------------------------------------------------------------------------------------------------------------------------------------------------------------------------------------------------------------------------------------------------------------------------------------------------------------------------------

Note: The FBO should keep details of consignments presented for slaughter which they suspect includes animals older than 12 months. This information should be made available to the Local Authority on request.

3.5 Movement of sheep: Animal Movement Licence

Sheep moving to slaughter require a completed movement document which is managed by the Scottish Animal Movement Unit (SAMU) – which specifies:

- the address, including the postcode, and CPH number of the holdings from which the sheep have been moved from and to (Scottish forms will have the address of the keeper only on the forms which will not necessarily relate to the CPH)
- the date the movement is taking place
- the number of sheep the document covers
- the numbers of individually identified sheep

Note: These animals will need to have their individual identification numbers recorded on the movement document (attached lists are acceptable). Information about mixed batches is not required but may be supplied. Individual 'off movement' (farm to abattoir) information will not be included where the slaughterhouse is acting as a Central Point Recording Centre on behalf of the keeper – this will be indicated by means of a tick box on the movement document.

- The form must be retained for at least three years by the FBO, who must also send a copy to the LA within three days of the arrival of a sheep.

For more information visit the link below:

[Livestock identification and traceability: guidance - gov.scot \(www.gov.scot\)](http://www.gov.scot)

3.6 Recording movements: movement document

Moves can be recorded and reported in the movement document in two ways – individual recording or batch recording as detailed below.

For animals individually identified, the movement document must include individual ID numbers.

Exceptions where movements can continue to be batch recorded are:

- animals intended for slaughter within 12 months of age (identified with electronic or non-electronic slaughter tags)
- EID animals (double tagged including one EID identifier) moving to an approved central point recording centre (CPRC)

3.7 Sheep and goats from EU member states

All sheep and goats imported from an EU Member State and sent direct for slaughter must be accompanied by:

- Health Certificate
- Import licence: certain animals must have an import licence or authorisation to be imported into Great Britain

For further information please refer to: [Guidance on importing and exporting live animals or animal products - GOV.UK \(www.gov.uk\)](http://www.gov.uk) and Chapter 3.

3.8 Sheep and goats from other Third Countries

All sheep and goats imported from Third Countries must be accompanied by:

- Health certificate.
- In some circumstances an import licence and commercial documents might be required.

For further information please refer to [Import of Sheep and Goats from Third Countries \(defra.gov.uk\)](http://defra.gov.uk), [Guidance on importing and exporting live animals or animal products - GOV.UK \(www.gov.uk\)](http://www.gov.uk) and Chapter 3

4 Pigs Identification

[4.1 Regulations](#)

[4.2 Requirements of the identification mark](#)

[4.3 Types of identification mark](#)

[4.4 Pigs from EU Member States](#)

[4.5 Pigs from Third Countries](#)

[4.6 Movement of pigs: Scotland](#)

4.1 Regulations

The Pigs (Records, Identification and Movement) (Scotland) Order 2011.

<http://www.legislation.gov.uk/ssi/2011/327/contents/made>

4.2 Requirements of the identification mark

All pigs arriving at the slaughterhouse should be identifiable by means of an identification mark.

4.3 Types of identification mark

Identification marks in England, Scotland and Wales may be any of those listed in the table below:

Manual for Official Controls | Amendment 16

.....

Type	Notes
Slap mark: Scotland	Applied to one shoulder ¹ , showing either the keeper's herd mark or an alpha numeric slap mark allocated to the keeper by one of the Scottish marketing or processing groups ² .
Slap mark: England and Wales	Applied to both shoulders, showing the keeper's herd mark. Size is not specified; however the slap mark must be legible before and after slaughter, throughout processing.
Ear tag: England and Wales	<p>Ear tags must be:</p> <ul style="list-style-type: none"> • printed or stamped – not handwritten • tamperproof and not re-usable • include the letters UK plus the herd mark; a unique identification number can follow on from the official information or be printed on the other side of the tag, for example, UK AB1234 or UK AB1234 001 • capable of remaining legible throughout carcass processing (for pigs going for slaughter) <p>Note: Plastic tags are not acceptable for slaughter pigs because they may melt during scalding or singeing.</p>
Ear tag: Scotland	In Scotland, ear tags may be made of metal or plastic, or a combination of both. However, they must be sufficiently heat resistant that neither the ear tag nor the information printed or stamped on it can be damaged by the processing of the carcass following slaughter.
Tattoo	Tattoo of the herd mark on one ear. If desired, the other ear may have an individual number and / or management information. Size is not specified, but the tattoo must be legible before and after slaughter and throughout processing.

1. Some processors require a slap mark applied to each shoulder of the pig. The keeper should check with the processor in advance of sending pigs, to conform their requirements.
2. There are currently 3 groups; Vion (processing group), Scottish Pig Producers and Scotlean (marketing groups).

4.4 Pigs from EU member states

All pigs imported from EU must be accompanied by:

- Health certificate
- Import licence: certain animals must have an import licence or authorisation to be imported into Great Britain.

For more information please refer to [Guidance on importing and exporting live animals or animal products - GOV.UK \(www.gov.uk\)](#) and Chapter 3.

4.5 Pigs from other Third Countries

Pigs imported from outside the European Union must:

- Health certificate signed by an official veterinarian or inspector of the veterinary authority in the country of origin. It must also contain only those paragraphs that are relevant to the country and guarantees concerned.
- In some circumstances an import licence and commercial documents might be required

For more information please refer to [Import of porcine animals from third countries \(defra.gov.uk\)](#), [Guidance on importing and exporting live animals or animal products - GOV.UK \(www.gov.uk\)](#) and Chapter 3.

4.6 Movement of pigs: Scotland

In Scotland, with effect from 1 December 2011, details of pigs moving to slaughter should be notified to the ScotEID movement reporting database electronically, by telephone or in writing. The notification must specify the following information:

- the address, including postcode and CPH number of the holdings the pigs were moved to and from
- the date of movement
- the number of pigs moved
- the identification mark of each pig moved
- in the case of pigs moved from a market, the lot number of the pigs being moved

The FBO must check and confirm receipt of the pigs within 3 days of arrival to ScotEID* by one of the movement notification methods mentioned above.

*This also applies to pigs being moved from England and Wales for slaughter in Scotland.

More information can be found on Scottish Government website:
<http://www.gov.scot/Topics/farmingrural/Agriculture/animal-welfare/IDtraceability/pig>

5 Deer Identification

[5.1 The Tuberculosis \(Deer\) Order 1989 as amended](#)

[5.2 Regulation \(EC\) 853/2004](#)

5.1 The Tuberculosis (Deer) Order 1989 as amended

<http://www.legislation.gov.uk/ukxi/1989/878/contents/made>

Farmed deer must be uniquely identified with an official ear tag, if they have been tested for tuberculosis or before they leave the farm of origin.

The tag must show either the Defra herd number, or British Deer Farmers Association (BDFA) herd registration number and the animal's own unique number.

The letters UK must go before the Defra herd mark, for example, UK AB1234 000001.

5.2 Regulation (EC) 853/2004

Regulation (EC) 853/2004, Annex II, Section III applies the same identification rules to farmed game as to other red meat animals.

It is required that a declaration by the FBO who reared the animals, stating their identity and indicating any veterinary products or other treatments administered, dates of administration and withdrawal periods, accompanies the slaughtered animals to the slaughterhouse.

Regulation (EC) 853/2004 requires meat of large wild game to be accompanied to the game handling establishment by a hunter declaration stating the date, time and place of the killing.

6. FSS role

[6.1 FSS role in cattle identification](#)

[6.2 FSS role in sheep and goats identification](#)

[6.3 FSS role in deer and pigs identification](#)

6.1 FSS role in cattle identification

SUBJECT	FSS ACTIONS
Animal Identification	<p>The OV is to verify that the FBO complies with (EC) 853/2004 to ensure that animals accepted for slaughter for human consumption are properly identified. The OV must ensure that animals whose identity is not reasonably ascertainable by the FBO are killed separately and declared unfit for human consumption. If the OV considers it necessary, they should contact APHA to arrange for official controls to be carried out on the holding of provenance.</p> <p>Retained Regulation EU 2019/627</p> <p>Verification must be undertaken for a minimum of 10% of animals presented, increasing the percentage if required as per the Service Level Agreement. For cattle brought from Northern Ireland, 100% checks will be undertaken unless agreed otherwise with the FSS Technical Lead.</p> <p>Details of all identification issues and their outcomes should be recorded in the daybook and OWS</p>
Identification checks	<p>Verification levels should be increased immediately following non-compliance (NC), until the reason for the NC has been established and rectified. The OV should set an increased level of verification following FSS protocols, sufficient to provide assurance that FBO controls are applied effectively. The OV should raise any concerns with the FSS Technical Lead in the first instance. Once the OV is satisfied that the FBO has addressed and corrected the root cause of the NC, the verification level should return to the 10% level.</p>

Manual for Official Controls | Amendment 16

	<p>OV is to decide if the NC is minor or major (taking into account: previous compliance, line layout, level of ID issue etc.). OV judgement :</p> <ul style="list-style-type: none"> • If MINOR: 25% checks for 3 days • If MAJOR: 50% checks for 5 days • If during these increased checks other NCs are identified: 100% checks for 5 days. <p>Ideally, all increases would apply from the following day. Discuss any increase before implementation with your FSS Technical Lead to make arrangements.</p> <p>Identity checks must be random and spread throughout the day, every day. There is flexibility on the number of animals to be checked each day, as long as the required percentage is achieved by the end of the week. Checks should be spread throughout the day and should not fall into a pattern, for example, concentrated in any particular day or part of a day. To allow FSS to provide continued assurance to consumers that BSE testing is conducted on all relevant bovines, the identification of at least one animal should be verified every day to prevent any potential relaxation that may arise without daily checks.</p> <p>It is appreciated that, in smaller establishments, operationally it may be more practical to verify cattle identity of a higher percentage.</p>
Recording of non-compliances	<p>On a daily basis, the OV must record in FSS IT System all non-compliances not identified by FBO using the Cattle ID Check record.</p> <p>A non-compliance should only be recorded when an identification problem has not been detected by the FBO and it is identified by FSS operational staff.</p>
Non-conformances identified outside the relevant percentage checks	<p>If a problem is identified outside of the percentage check, action should be taken by the OV / AO as necessary. Issues identified outside of the random checks should be recorded in the Cattle ID Check record online form and should be considered an additional check for that day.</p>
Non-compliances which must trigger an increase in	<ul style="list-style-type: none"> • Failure to classify and slaughter the animal in the correct age category (UTM, OTM and cattle that require BSE testing). • Unless authorised, slaughter of a bovine animal that requires BSE testing.

Manual for Official Controls | Amendment 16

supervision checks	<ul style="list-style-type: none"> • Slaughter of cattle born in, or imported into, the UK before 1 August 1996. • No ear tags. • Different ear tags. • No passport / wrong passport. • The sex and / or breed of the bovine obviously do not match details recorded on the passport. • Passport appears to have been tampered with or amended or any other obvious reason to suspect that it is not valid.
Establish identity	<p>It is the responsibility of the keeper to correctly identify the animal.</p> <p>It is the FBOs responsibility to ensure that animals that are slaughtered are properly identified.</p> <p>When the animal has already been slaughtered and no valid official cattle identification document can be obtained, the carcass must not be health marked.</p> <p>Note: Notwithstanding cases referred to the LA for investigation, it is still the OV who must make the final decision regarding the acceptability of the animal for health marking.</p>
Suspect forgery or fraud	<p>If the OV has reasonable grounds for suspecting that a cattle passport may be inaccurate, for example, where there is a clear disparity between the age given on the passport and the dentition, the OV must initiate further checks to establish whether the documentation is correct.</p> <p>If fraud is suspected, the details must be referred to the LA Trading Standards Department and copied to the registration Department at BCMS by emailing MHSinspect@rpa.gov.uk and copy ScotEID (help@scoteid.com) in the communications. OV to communicate to FSS Technical Lead and also report to FSS Food Crime and Incidents Unit.</p> <p>http://www.foodstandards.gov.scot/food-crime Scottish Food Crime Hotline - 0800 028 7926</p>
Animal register	<p>The OV must inspect the FBO's cattle register each month to ensure that the records are being completed promptly and accurately.</p> <p>The OV should:</p> <ul style="list-style-type: none"> • check at least 1% of the entries made • sign and date the register with details of the number of entries checked and found acceptable • if the register is kept electronically, make an entry in the daybook to prove that checks have been made

Manual for Official Controls | Amendment 16

	<ul style="list-style-type: none"> If the register is found to be deficient, you must take proportionate action
Pre Slaughter Checks:	
Live animal discrepancy	<p>The AO must take the following actions when the FBO reports a live animal discrepancy:</p> <ul style="list-style-type: none"> confirm that the FBO has taken the actions as specified assess the identification or evidence provided by the FBO supervise the slaughter and disposal of the carcass if no identification or acceptable evidence of identification is provided by the FBO
Opportunity to provide evidence	<p>The OV must allow the keeper opportunity to establish the animal's identity and provide the reason as to why the animal was presented without correct identification in case of no ear tag, one ear tag when double is required, mismatched ear tags, wrong passport, no passport.</p> <p>Caution: A bovine animal without any ear tag cannot be reconciled against any documentation provided and it is unlikely that sufficient evidence can be presented to authenticate identity and permit re-tagging.</p> <p>When animals have been submitted with ear tag discrepancies or passports with missing data, the OV is to notify the LA either using the form AID 5/7 (FSS Referrals to LA) or using an alternative reporting method agreed with the Local Authorities for the abattoir. Daily reports are no longer required. Isolated instances as well as repeated incidents should be reported to LAs on a monthly basis. When reporting to LAs, the OV can use the FBO records for identification discrepancies, or the form in Annex 1.</p>
Mistake suspected	<p>If the OV considers that a genuine mistake has been made, they should contact ScotEID and request a check on ScotMoves+ to ensure that the animal relating to the passport is recorded as being alive and on the holding. If such confirmation is given by ScotEID the passport may be returned to the keeper.</p>
Passport supply	<p>If the correct passport is provided within 48 hours the animal may be slaughtered for human consumption. If there is evidence that the passport exists (fax copy, for example), the animal may be slaughtered and detained pending arrival of the passport.</p>

Manual for Official Controls | Amendment 16

.....

Identity not established	<p>If the identity of the animal is not established to the satisfaction of the OV, the AO must mark the passport 'not reconciled' and return to ScotEID in a prepaid envelop with a copy of the AID 5/4 (Cattle Identification Non-Compliance Report) detailing the non-compliance. Reference: See chapter 9 on 'Forms' for a copy of AID 5/4.</p> <p>If the identity of the animal is not established to the satisfaction of the OV and the animal:</p> <ul style="list-style-type: none"> • is not re-tagged • is re-tagged with tags that do not reconcile with the passport • no correct passport is provided <p>The FBO must slaughter the animal separately, then stain and dispose of the appropriate category of animal by-product under supervision by FSS operational staff.</p>
Post- Slaughter checks	
Check of kill sheet	The FBO will provide FSS staff with copies of kill sheets. These should be checked to verify the accuracy of the data registered and to confirm throughput information.
FSS verification of identity	<p>The FSS AO is responsible for verifying that the representative samples of bovine animals which have been slaughtered for human consumption are:</p> <ul style="list-style-type: none"> • correctly identified • accompanied by a valid passport (checks include ear tag number, sex and breed) • in compliance with age criteria applicable in the establishment • imported animals have the required official documentation
FSS post-slaughter ID checks	<ul style="list-style-type: none"> • The animal has official, valid ear tags • The ear tag details match the passport • The dentition is consistent with the date of birth on the passport and does not indicate any obvious signs of fraud • The passport is valid and the sex and breed of the animal match the passport • The inside back page for import details (if any)
Requirement for proof of identity	The OV is to notify the operator of any carcasses without the correct identification without delay. The FBO should be given the opportunity to present evidence to allow the OV to be confident that the identity of the carcass was reasonably ascertainable.

Manual for Official Controls | Amendment 16

	<p>Caution: Clear and unambiguous proof will be required and more than one piece of evidence may be needed to substantiate the identity of the animal.</p>
On-going disputes	<p>Where there is an on-going dispute regarding the identity of a carcass, and the FBO or primary producer is awaiting the results of DNA testing, the FBO should be offered the option of freezing the carcass.</p> <p>Note: Record detail of any such agreement in the Day Book.</p>
Disposal of passports	<p>FSS will be responsible for returning non-reconciled passports via the pre-paid envelopes provided by Scot EID to: ScotEID, 7 Deveron Road, Huntly, AB54 8DU</p> <p>For the plants involved in the trial with Shred Station: Organising collections will be the responsibility of FSS SLA & Contracts team.</p> <p>FSS staff to intermediately store passports if the disposal storage unit is overflowing until an earlier collection is arranged.</p>
Verification of age	
Age estimation	<p>The principal guide for age estimation of cattle is the date of birth on the passport. The OV may, however, take into account other factors, such as dentition, and carcass characteristics such as ossification, when establishing if the identity of the bovine is reasonably ascertainable.</p> <p>An AO must carry out a dentition check on the relevant percentage of carcasses presented as less than 30 months old, and record the results on AID 5/1 (Cattle Identification Record) if 5 or more permanent incisors are erupted.</p> <p>Reference: See chapter 9 on 'Forms'.</p> <p>See section 2.4 for more information</p> <p>Expert advice and statistical evidence shows that:</p> <ul style="list-style-type: none"> • the majority of animals with 6 permanent incisors erupted will be over thirty months of age • a bovine animal with 7 or 8 permanent incisors erupted must be considered over thirty months of age <p>If the OV has reasonable grounds for suspecting that the official cattle documentation may be incorrect, for example, where there is a clear disparity between the age given on the official cattle documentation and the dentition, the OV should initiate further checks to be satisfied that the documentation is genuine.</p> <p>The following table of dentition is based on research and may be helpful in estimating bovine ages.</p> <p>Note: 24 months = 730 days and 30 months = 912 days</p>

Manual for Official Controls | Amendment 16

Permanent incisors	Minimum age days	Maximum age days
1 erupted	541	806
2 erupted	536	825
2 in wear	584	1019
3 erupted	689	961
4 erupted	715	937
4 in wear	732	1275
5 erupted	902	1277
6 erupted	978	1304
6 in wear	980	1498
7 erupted	1038	1742
8 erupted	1098	1715
8 in wear	1103	-

The temporary incisors in **water buffalo** are significantly larger than those in other bovine species, and may give rise to confusion.

In case of doubt the gum may be dissected to examine the teeth roots.

After the AO has carried out the dentition check, and the passport indicates the animal is under thirty months old, but 5 or 6 permanent incisors are identified:

- there is no need to submit a brainstem for BSE testing
- if there is a significant discrepancy in the age compared to the dentition, the case may be referred to LA Trading Standards for further investigation. They may wish to retain some evidence, such as the head, for their investigations.
- the carcass may enter the food chain if it has passed post mortem inspection, and **VC is treated as SRM.**

Any animal with 7 or more permanent incisors erupted and a passport indicating that it is less than thirty months old should be detained and investigated in the first instance. These cases should be referred to the LA. Where no further information comes to light, the OV's final decision should be based on the fact that animals with 7 or more incisors erupted cannot be UTM.

Where the OV is unable to satisfy the identity of the carcass, the FBO should identify the carcass as an animal by-product, which should be stained and disposed of under FSS supervision. The passport presented with the carcass should be marked 'not reconciled' and returned to the ScotEID.

Manual for Official Controls | Amendment 16

AID-5	<p>If the FSS AO who completed the entries is the only FSS authorised officer present, they must also sign the OV confirmation section, having first carried out a secondary check of their original entries.</p> <p>The AID 5-1 (see Chapter 9 Forms) must be completed daily; fill in as many AID 5-1s as necessary to cover the number of cattle ID checks being undertaken.</p> <p>AID-5 is a compulsory form.</p> <p>The whole of the AID 5-1 must be completed, but only for the relevant percentage of carcasses checked.</p> <p>The following boxes must be completed on the AID 5-1:</p> <ul style="list-style-type: none">• approval number• establishment name• date• earliest date of birth for slaughter of cattle (BSE testing / SRM VC removal) – O24M, OTM and O48M• total number of cattle slaughtered• total number of cattle checked• % of cattle checked <p>Check if the animal was born or imported into the UK before 01/08/96.</p> <p>If imported, check if this was on/after 01/08/1996 and what the BSE testing age is for the country of origin, then:</p> <ul style="list-style-type: none">• enter the kill number• enter the ear tag number• enter the date of birth• indicate 'yes' or 'no' for imported, BSE test needed and valid passport• for animals presented as UTM if there are 5 or more permanent incisors enter the number• in the case of an invalid passport, complete form AID 5/4• Once completed, sign the AID 5-1. <p>The OV must check the information provided on the AID 5-1, ensuring that each entry is initialled by the authorised officer who undertook the inspection, and confirm that:</p> <ul style="list-style-type: none">• any cattle that require BSE testing have been identified and that appropriate action has been taken
-------	----------------------------------------------------------------------------------------------------------------------------------------------------------------------------------------------------------------------------------------------------------------------------------------------------------------------------------------------------------------------------------------------------------------------------------------------------------------------------------------------------------------------------------------------------------------------------------------------------------------------------------------------------------------------------------------------------------------------------------------------------------------------------------------------------------------------------------------------------------------------------------------------------------------------------------------------------------------------------------------------------------------------------------------------------------------------------------------------------------------------------------------------------------------------------------------------------------------------------------------------------------------------------------------------------------------------------------------------------------------------------------------------------------------------------------------------------------------------------------------------------------------------------------------------------------------------------------------------------------------------------------------------------------------------------------------------------------------------------------------------------------------------------------------------------------------------------------------------------------------------------------------------------------------------------------------------------

Manual for Official Controls | Amendment 16

	<ul style="list-style-type: none"> • any animal born before 1 August 1996 has been identified, appropriate action has been taken • any discrepancy relating to the animals age has been identified, the appropriate action has been taken <p>AID 5/1s should be retained in the plant file for 2 years.</p>
<p>BSE testing/SRM VC removal</p>	<p>From 1 March 2013, there is no requirement to test for BSE in healthy slaughter cattle born in one of the EU-25 countries. However, there remains a requirement to test certain 'risk cattle', depending on their age and origin and AOs must remain vigilant when undertaking cattle ID checks that such cattle are identified.</p> <p>Full details of BSE testing requirements are located within chapter 2.6 on 'TSE testing' and all AOs undertaking identity checks must be familiar with the testing requirements.</p> <p>Determine the earliest date of birth for slaughter for O24M / OTM / O48M processing – as appropriate – that corresponds to the current date, using the relevant Bovine Eligibility Checklist. Locate today's date on the chart, and enter the corresponding 'Earliest date of birth for slaughter' from the right hand column. Enter this date in the relevant box on the AID 5/1.</p>
<p>Records</p>	<p>A carcass should not be allowed to go for human consumption if during the verification of the relevant percentage of carcasses any of the following are identified:</p> <ul style="list-style-type: none"> • no tag • illegible tags • unofficial or unapproved tags • evidence that a tag has been tampered with, • 7 or 8 permanent incisors animal with an under thirty months passport. <p>Following rejection as unfit for human consumption, you should:</p> <ul style="list-style-type: none"> • mark the passport 'not reconciled' and return to ScotEID with a completed AID 5/4 detailing the non-compliance <p>Note: Do not send passports and AID 5/4 forms to ScotEID until all enquiries are complete</p> <ul style="list-style-type: none"> • refer the matter to the LA and copy the referral to the BCMS Enforcement Referrals section and ScotEID (address: BCMS Enforcement Referrals Section, Curwen Road, Workington, CA14 2DD) • record referrals to LAs / ScotEID in the daybook

Manual for Official Controls | Amendment 16

	<ul style="list-style-type: none"> • record any enforcement action in the daybook and complete ENF MODULE ON OWS • secure evidence, especially the heads of suspect animals with the ears and ear tags attached • notify these cases to the FSS Technical Lead <p>Note: This ensures management are aware of issues which may be referred to them.</p>
Ear tag discrepancies	
<p>When a carcass is presented without satisfactory ear tags, providing other eligibility checks have been completed satisfactorily, the OV should immediately notify the FBO of any carcasses without the correct identification and allow the FBO opportunity to present evidence to establish the identity of the carcass.</p> <p>Note: These will be exceptional cases and the OV will probably need more than one piece of evidence to be convinced as to the identity of the animal. The OV must be satisfied regarding the identity of the animal. If fraud is suspected, the details must be referred to the Trading Standards Department copied to BCMS by emailing MHsinspect@rpa.gov.uk and ScotEID Also report to FCIU as described in the suspect of fraud section.</p>	
Damaged ears	If the second ear is missing or badly damaged, both tags may be fitted to the same ear.
Illegible tags	If a tag is illegible you should treat the carcass as if its tag(s) were missing.
Only one tag	<p>Where a carcass is found with only one tag, the following applies:</p> <ul style="list-style-type: none"> • if the animal was born before 15 September 1998, such carcasses should be accepted with no further action (providing other eligibility checks have been completed satisfactorily) • if the animal was born after 15 September 1998, there is evidence that a second tag had been fitted and all other eligibility requirements have been met, the OV may accept the carcass for human consumption • if the animal was born after 15 September 1998, but there is no evidence that a second tag had been fitted, the OV may still accept the carcass for human consumption, provided any necessary checks are made to allow them to reasonably ascertain the identity of the animal
Passport discrepancies	
Wrong passport/ Invalid passport	<p>A 'wrong passport' is where the passport presented with the animal relates to an entirely different animal.</p> <p>The passport is considered to be the wrong one if:</p>

Manual for Official Controls | Amendment 16

	<ul style="list-style-type: none"> • it does not match the animal's ear tag, or • the size / dentition of the animal indicates that the date of birth shown on the passport is incorrect • the passport is not one of the three types of the UK passport <p>An 'invalid passport' is where the passport presented with the animal does relate to that animal, but some of the details are incorrect or missing.</p> <p>The AO should consider that the passport presented with a carcass is invalid if:</p> <ul style="list-style-type: none"> • it appears to have been tampered with or amended • the sex or breed of the bovine obviously do not match the information on the passport • details of the last holding where the animal has been kept are missing or do not match the FCI <p>Note: The OV may accept a passport as valid if minor information is missing (for example, it has not been signed by the last keeper) provided traceability of the animal has been maintained. The carcass may be passed fit for human consumption if the keeper or his agent signs the passport within 7 days of slaughter.</p> <p>OV to:</p> <ol style="list-style-type: none"> 1. Detain the carcass 2. Notify the FBO that the passport is wrong, invalid or missing 3. Allow the keeper 48 hrs to present the correct passport or correct the deficiency <p>Note: The carcass may be held for a period longer than 48 hrs if the OV has evidence that the correct passport has been located (is in possession of a photocopy or fax). For further information please refer to Chapter 7</p> <ol style="list-style-type: none"> 4. Retain control of the passport: All passports retained by FSS for further investigation must be kept under secure conditions by FSS staff and must not be returned to the FBO or to previous keepers. The FBO may take photocopies of passports before slaughter or after slaughter, under FSS supervision. 5. Take enforcement action if appropriate
<p>Correct passport submitted</p>	<p>The carcass must not be passed as fit for human consumption until the original, valid passport is presented.</p> <p>The OV should detain the carcass pending the outcome of investigations and follow the guidance in the table below.</p> <p>The result of such investigation will determine health marking or disposal as animal by-product and possible enforcement action.</p>

Manual for Official Controls | Amendment 16

	<p>If the correct passport is submitted, telephone ScotEID (01466 794323) and ask them to confirm the animal's last known location. If this matches the information on the passport, the carcass can be passed fit for human consumption the retained passport may be returned to the keeper. Do not complete an AID 5-4 form.</p>
The passport is invalid, but the discrepancy is rectified	<p>Carcass can be passed fit for human consumption. Do not complete an AID 5-4 form.</p>
Passport contains a minor breed discrepancy, but the animal's identity is not in doubt	<p>Carcass can be passed fit for human consumption, highlight the discrepancy on the passport with a red circle and give the passport back to the FBO for return to ScotEID.</p>
The correct passport is not submitted	<p>Instruct the FBO to identify the carcass as a Category 1 animal by-product, which must be stained and disposed of under FSS supervision</p> <p>Do not return the retained passport to the keeper</p> <p>The passport must be returned to ScotEID as un-reconciled with a completed AID 5-4 form</p>
The passport displays incorrect sex details	<p>Telephone ScotEID and the relevant LA if necessary</p> <p>Undertake further investigation to establish whether there is possible fraud or whether a genuine mistake was made when the passport was applied for</p> <p>If fraud is suspected, the passport must be returned to ScotEID as un-reconciled with a completed AID 5-4 form.</p>
The passport appears to have been amended or tampered with	<ul style="list-style-type: none"> • Telephone ScotEID and the relevant LA if necessary • Undertake further investigation to establish whether there is possible fraud <p>If any doubt remains as to the identity of the animal:</p> <ul style="list-style-type: none"> - instruct the FBO to identify the carcass as an animal by-product, stain and dispose of it under FSS supervision - The passport must be returned to ScotEID as un-reconciled with a completed AID 5-4 form

Manual for Official Controls | Amendment 16

<p>The number on the ear tag has a 'UK' prefix, but the passport does not OR the tag number on the passport has a 'UK' prefix, but the number on the ear tag does not</p>	<ul style="list-style-type: none"> • Instruct the FBO to identify the carcass as an animal by-product, stain and dispose of it under FSS supervision • The passport must be returned to ScotEID as un-reconciled with a completed AID 5-4 form
<p>Request further documents</p>	<p>Pedigree certification that is pre-printed and can be confirmed with the breed society may be used to help establish the date of birth.</p> <p>The OV may request additional information from the keeper (for example, herd record books) in order to satisfy that the documentation is genuine.</p> <p>The OV may also contact ScotEID to request details of the animal's records. The number to use for such queries is 01466 794323, or visit the website at The ScotEID Information Centre ScotEID</p>
<p>Reporting stamped passports</p>	<p>Where cattle are identified live or presented after slaughter with a passport stamped 'NOT FOR HUMAN CONSUMPTION: Animal exposed to mammalian protein' the OV must inform, by telephone:</p> <ul style="list-style-type: none"> • Regional Veterinary Manager, APHA, Worcester (01905 763355) • the local APHA office • LA (Trading Standards Department) • ScotEID • FSS technical lead <p>Under no circumstances may carcasses from these animals be health marked for human consumption.</p> <p>Note: Carcasses, offal and all other parts of the carcass (with the exception of the hide) must be disposed of as SRM Category 1 animal by-product.</p>
<p>Reconciled Passports</p>	<p>Once the eligibility checks have been satisfactorily completed for the relevant percentage of carcasses and the carcass has been accepted (or rejected) as eligible for human consumption the OV should give the passport to the FBO, for them to return it to ScotEID.</p>
<p>Non-reconciled Passports</p>	<p>Non-reconciled passports must be returned to ScotEID, as detailed in the step-action table below.</p>

Manual for Official Controls | Amendment 16

	<p>Note: Do not send passports and AID 5-4 forms to ScotEID until all enquiries are complete.</p> <ol style="list-style-type: none"> 1. Stamp the passport with the plant document stamp 2. Write the words NOT RECONCILED in red across the passport 3. Complete an AID 5-4, detailing the non-compliance 4. Keep copies of documents on file at the plant 5. Attach the AID-5-4 and copies of any notices issued, to the appropriate passport 6. Place the passport and completed forms in the polybag <p>In addition to the AID 5/1, copies of any AID 5/4s issued should also be enclosed in the polybag, attached to the passport(s) to which they relate (see following table).</p> <p>Note: Further supplies of polybags (for the purposes of returning forms and non-reconciled passports to ScotEID) are available by contacting ScotEID 01466 794323, help@scoteid.com.</p> <p>For all passports marked 'not-reconciled', the death details page of the passport must be completed, even if the number on the passport was not the same as the number on the ear tag. Complete the AID 5-4 with the number that appeared on the ear tag of the animal that was actually slaughtered. This will enable ScotEID to update both the record of the animal slaughtered, and the record relating to the number that appeared on the passport.</p>
--	---------------------------------------------------------------------------------------------------------------------------------------------------------------------------------------------------------------------------------------------------------------------------------------------------------------------------------------------------------------------------------------------------------------------------------------------------------------------------------------------------------------------------------------------------------------------------------------------------------------------------------------------------------------------------------------------------------------------------------------------------------------------------------------------------------------------------------------------------------------------------------------------------------------------------------------------------------------------------------------------------------------------------------------------------------------------------------------------------------------------------------------------------------------------------------------------------------------------------------------------------------------------------------------------------------------------------------------------------------------------------------------------------------------------------------

6.2 Sheep and Goats

SUBJECT	FSS ACTIONS
Identity verification	<p>It is the responsibility of the OV (Retained Commission Implementing Regulation EU 2019/627) to verify that the FBO is compliant with the requirement that animals accepted for slaughter are properly identified. They must also ensure that animals whose identity is not reasonably ascertainable are killed separately, declared unfit and disposed of in accordance with ABP legislation. FCI must also be checked by the OV (see Chapter 2.1 of the MOC for further guidance on FCI).</p> <p>All sheep should be identifiable by means of an official identifier. Loss of tags is a recognised problem in sheep, and tags may be lost between the farm or market and the slaughterhouse. When sheep</p>

Manual for Official Controls | Amendment 16

	<p>without tags are delivered to the slaughterhouse, and the lack of identification cannot be considered to be the result of loss of tags since leaving the farm (for example, significant numbers of sheep, or no physical evidence of having been tagged), they should not be accepted for slaughter for human consumption.</p> <p>Details of animals presented for slaughter with a single slaughter tag after 30 June in the year following the lambing season, which you believe are older than 12 months of age and should therefore be identified with double tags, should be recorded and made available to the LA on request.</p> <p>Details of the consignor's non-compliance with SAGRIMO must be reported to the Local Authority.</p> <p>The following table describes OV actions to be taken, depending where the animals come from:</p>
--	-------------------------------------------------------------------------------------------------------------------------------------------------------------------------------------------------------------------------------------------------------------------------------------------------------------------------------------------------------------------------------------------------------------------------------------------------------------------------------------------------------------------------------------------------------------------------------------------------------------------------------------------------------------------------------------------------------------------------------------------------------------------------------------------------------------------------------------------------------

The following table describes OV actions to be taken, depending where the animals come from:

Animals from	OV action
<p>Multiple pick-up transport directly from farms</p>	<p>The batch identity of sheep from more than one farm, transported directly to the slaughterhouse on one vehicle, will usually be maintained by separate penning and unloading. Alternatively, temporary marks (for example, paint marks) may be used for batch identification to overcome problems arising from loss of tags.</p> <p>However, where a significant number of sheep are not tagged, and there is no physical evidence that they had been tagged, the identity of such sheep is not reasonably ascertainable. They should not be slaughtered for human consumption, but should be killed separately, disposed of as unfit and the details reported to the LA.</p> <p>Note: Temporary marks are an adjunct to proper identification, and do not remove the requirement for compliance with the Hygiene Regulations.</p> <p>Provided the batch identity has been maintained during transport, any minor discrepancies between ear tags and the information on the movement document(s) may not prevent slaughter for human consumption, but must be reported to the LA.</p>

Manual for Official Controls | Amendment 16

<p>Transported from livestock market</p>	<p>In the case of a sheep in a composite consignment from a market which has a system for checking tags at the market, the incident of a missing tag can be reasonably interpreted as a genuine loss of a tag since leaving the market. In such circumstances, its identity can be considered to be reasonably ascertainable, and it can be accepted for slaughter for human consumption.</p> <p>If significant numbers of sheep were found to be unidentified at the slaughterhouse and there was no physical evidence that they had been tagged, this would be a clear indication of failure to carry out checks at the market and to comply with a formal, agreed procedure. Where identity of such sheep could not be 'reasonably ascertainable', they are not permitted to be slaughtered for human consumption, must be reported to the LA and disposed of as unfit.</p>
-------------------------------------------------	--------------------------------------------------------------------------------------------------------------------------------------------------------------------------------------------------------------------------------------------------------------------------------------------------------------------------------------------------------------------------------------------------------------------------------------------------------------------------------------------------------------------------------------------------------------------------------------------------------------------------------------------------------------------------------------------------------------------------------------------------------------------------------------------------------------------------------------------------------------------------------

6.3 Pigs and deer

SUBJECT	FSS ACTIONS
Identity Verification	<p>Verification of animal identity by sampling and periodic checks to ensure that the FBO is checking animals are clearly tagged / marked and maintaining accurate records. These checks should be undertaken at the same frequency as the FBO audit frequency, and as part of the audit of FBO procedures. The OV or AO must make a record of the check and outcome in the daybook or as part of audit notes.</p>

7. Annexes

- Annex 1 Cattle ID issues - reporting to LA form
- Annex 2 ScotEID Keeper Switch Over QA booklet
- Annex 3 ScotEID Covering Letter